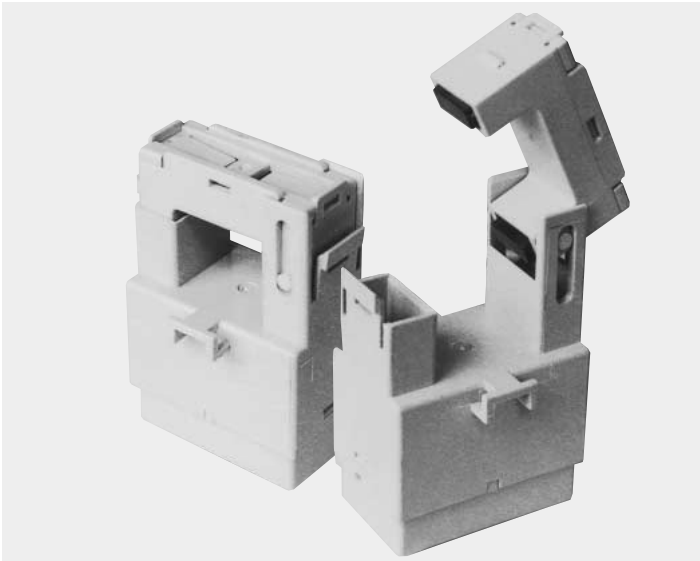


HA-BV, HA-CV



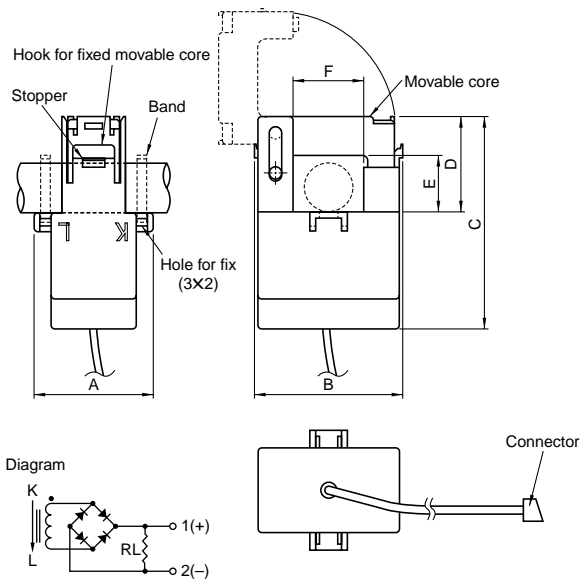
- Rated current50A~250A
- Simple mounting for exiting panel which is clamp type
- Internal rectification circuit DC-V output type

Applications

Energy measurement unit

Dimensions

(mm)



Type	A	B	C	D	E	F	Weight(g)
HA-B050-V5	31.5	39.6	56.7	25.7	15.2	18.8	88
HA-B100-V5							
HA-C250-V5	36.5	44.0	67.4	32.5	22	24	124

Specification

Ta=25°C

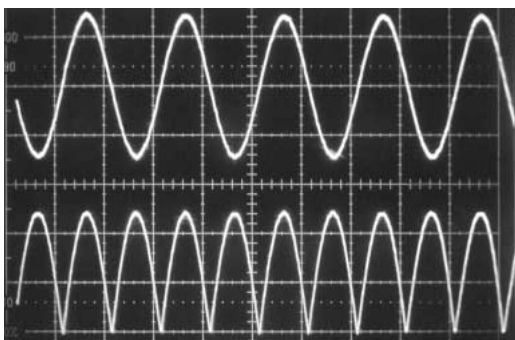
Type	HA-B050-V5	HA-B100-V5	HA-C250-V5
Rated current [If]	50Arms	100Arms	250Arms
Measuring limits	10~50Arms	10~100Arms	12.5~250Arms
Frequency	45~65Hz		
Rated output voltage	DC+5V (Peak) DC+3.21V (Average)		
Ratio error	±3%		
Operating Temp.	-10°C~+55°C		
Storage Temp.	-20°C~+60°C		
Dielectric withstand voltage	2500V AC 1minute		
Insulation resistance	Not less than 10MΩ 500V DC		
Insulation distance	Not less than 8mm		
Others	Output cable : 0.3mm ² , L=2000 Output connector : AMP D-3200S series Housing 1-178128-2 Contact 175195-2		

Characteristics chart

HA-B100-V5

Time base : 10ms/div.

Pulse current response characteristic

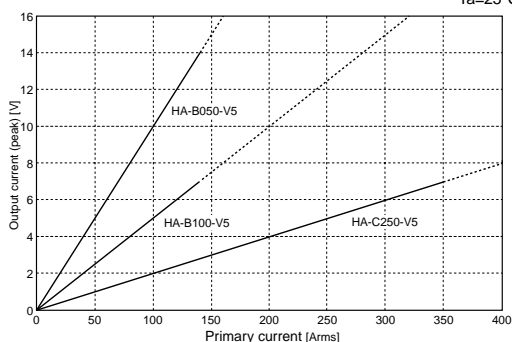


◁ Input current
50A/div.

◁ Output voltage
2V/div.

Input/output characteristic

Ta=25°C



Note: The solid lines indicate the possible range of a continuous flow of electricity.

Note : The mark "◁" means 0V or 0A.