

HC-MN



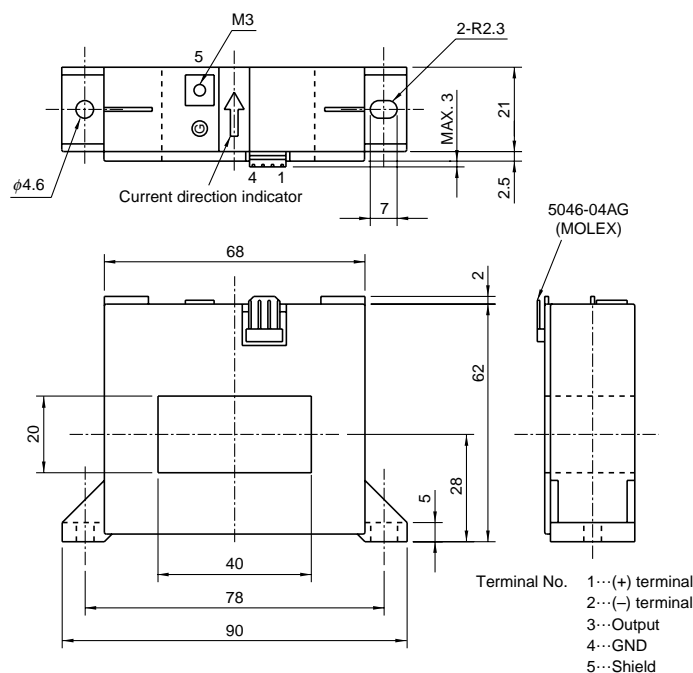
- Rated current300A~3000A
- Superior noise-resistance
- Screw type control terminals also available
- Single-power supplies also available

Applications

Inverters, power supply equipment, uninterruptible power systems (UPS), NC machine tools, welders

Dimensions

(mm)



Weight : 200g

Specification

Ta=25°C

Type	HC-MN300V4B15	HC-MN600V4B15	HC-MNE10V4B15	HC-MNE15V4B15	HC-MNE30V4B15
Rated current [If]	±300A	±600A	±1000A	±1500A	±3000A
Saturation current [Is]	±900A	±1200A	±2400A	±2400A	±5000A
Linearity limits	0~±900A	0~±1000A	0~±2100A	0~±2100A	0~±4500A
Rated output [Vh]	±4V±1%				
Residual output [Vo]	Within ±30mV				
Output linearity	Within ±1%				
Response time	Within 10μs (at di/dt=100A/μs)				
Output Temp. Coef.	Within ±0.1%/°C				
Residual output Temp. Coef.	Within ±1mV/°C				
Control power supply	±15V±5%				
Operating Temp.	-10°C~+75°C				
Storage Temp.	-15°C~+85°C				
Dielectric withstand voltage	2500V AC 50/60Hz 1minute				
Insulation resistance	Not less than 500MΩ 500V DC				

Note1) The indicated rated output is the one when no load is applied.

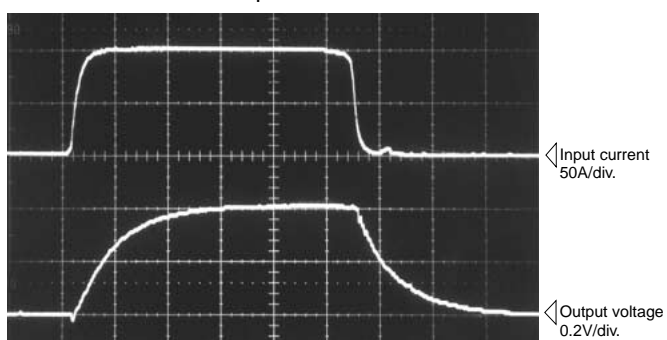
Note2) The indicated residual voltage is the one after the core hysteresis is removed.

Characteristics chart

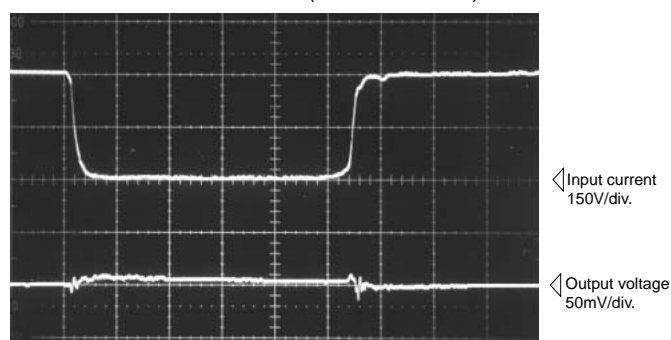
HC-MNE10V4B15

Time base : 5μs/div.

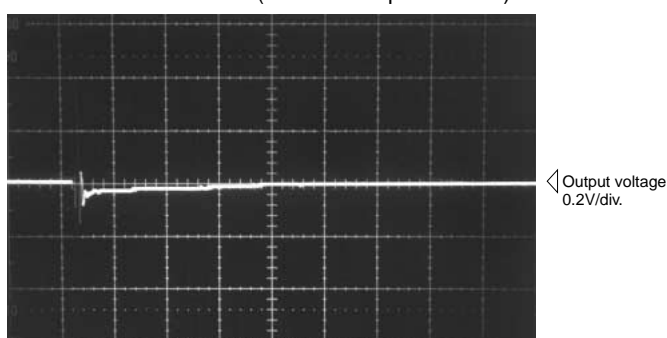
Pulse current response characteristic



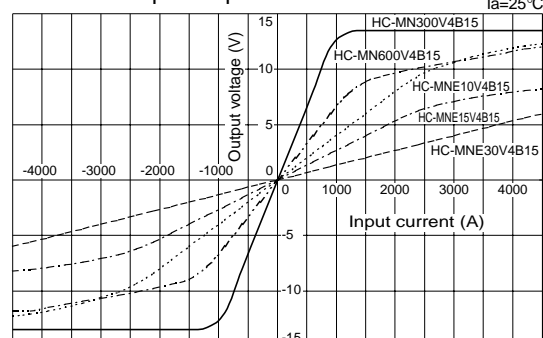
Noise characteristics (Effects of dv/dt)



Noise characteristics (Effects of impulse noise)



Input/output characteristics



Note : The mark "◁" means 0V or 0A.