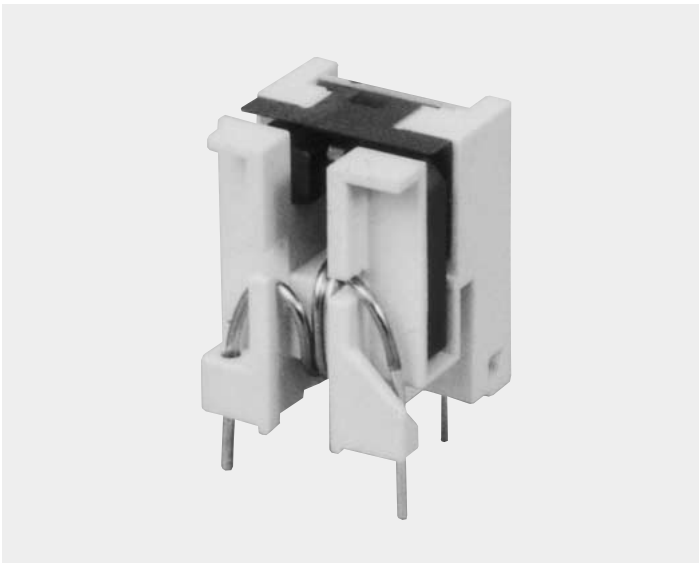


HC-PL



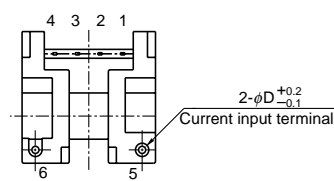
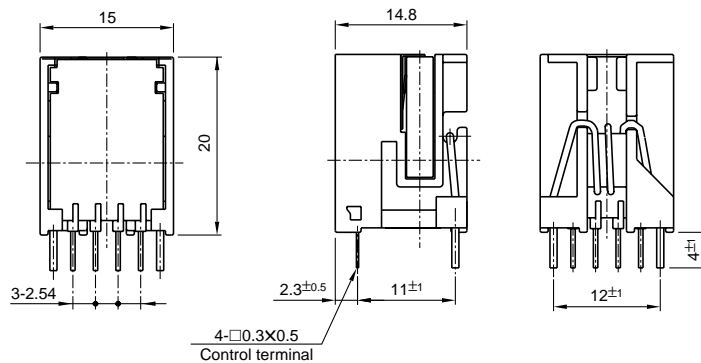
- Rated current ..... 5A ~ 30A
- Requires little space on the PCB
- Single-power supplies also available

Applications

Inverters, servo drivers, power supply equipment, NC machine tools

Dimensions

(mm)



Dimensions of Current Input Terminals

Size of primary winding	Width D
φ0.6	φ0.6
φ0.8	φ0.8
φ1.0	φ1.0
φ1.3	φ1.3

- Terminal No.
- 1...(+ terminal
  - 2...(- terminal
  - 3...Output
  - 4...GND
  - 5...(+ input
  - 6...(- input

Weight : 6g

## Specification

Ta=25°C

Type	HC-PL05V4B15	HC-PL10V4B15	HC-PL20V4B15	HC-PL30V4B15
Rated current [If]	±5A	±10A	±20A	±30A
Saturation current [Is]	±12.5A	±25A	±37.5A	±75A
Linearity limits	0~±10A	0~±20A	0~±30A	0~±60A
Size of primary winding	φ0.8	φ0.8	φ1.0	φ1.3
Turns	6	3	2	1
Rated output [Vh]	±4V±2% (RL=10kΩ)			
Residual output [Vo]	Within ±100mV			
Output linearity	Within ±1%			
Response time	Within 10μs (at di/dt=If/μs)			
Response performance	Within 10%			
Hysteresis voltage range	Within 100mV			
Output Temp. Coef.	Within ±0.1%/°C			
Residual output Temp. Coef.	Within ±2mV/°C			
Control power supply	±15V±5%			
Consumption current	Within 15mA			
Operating Temp.	-10°C~+75°C			
Storage Temp.	-15°C~+85°C			
Dielectric withstand voltage	2500V AC 50/60Hz 1minute			
Insulation resistance	Not less than 500MΩ 500V DC			

Note1) The indicated residual voltage is the one after the core hysteresis is removed.

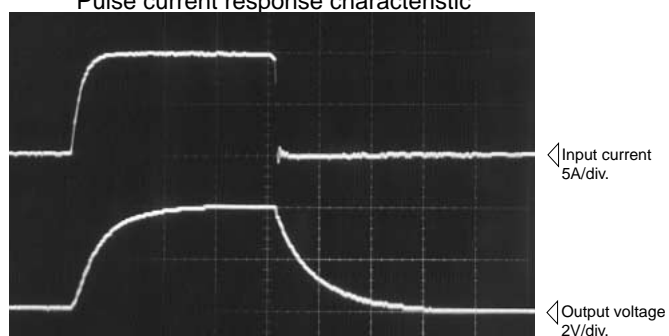
Note2) For continuously flowing DC currents, see the principal characteristics marked by an asterisk (\*) on page 1-5.

## Characteristics chart

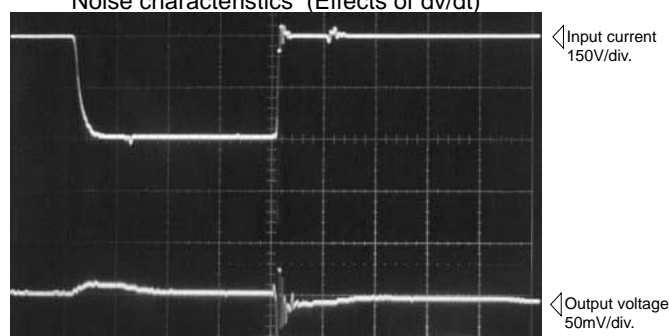
HC-PL10V4B15

Time base : 5μs/div.

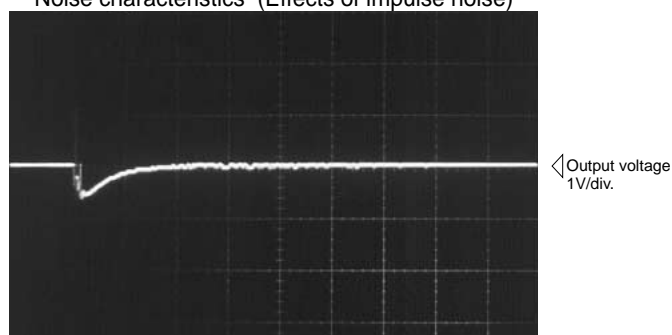
Pulse current response characteristic



Noise characteristics (Effects of dv/dt)

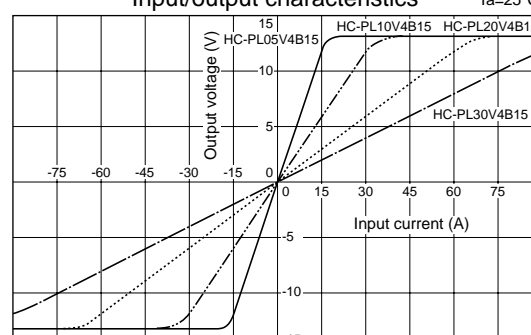


Noise characteristics (Effects of impulse noise)



Input/output characteristics

Ta=25°C



Note : The mark "◁" means 0V or 0A.