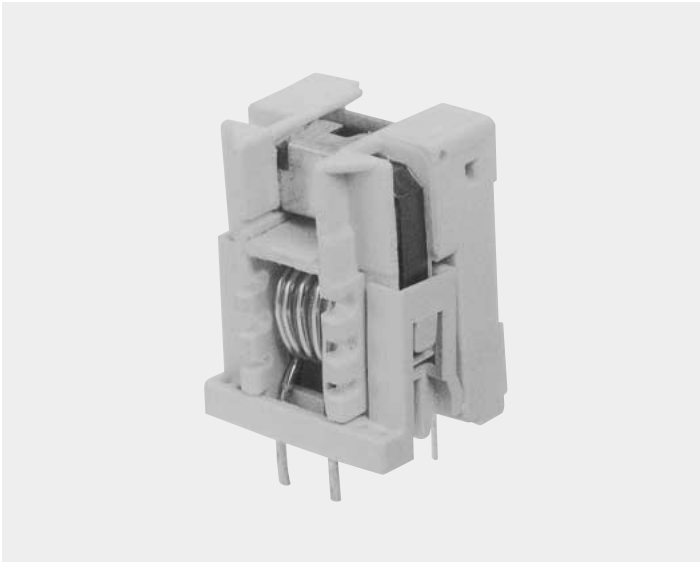


HC-PSE



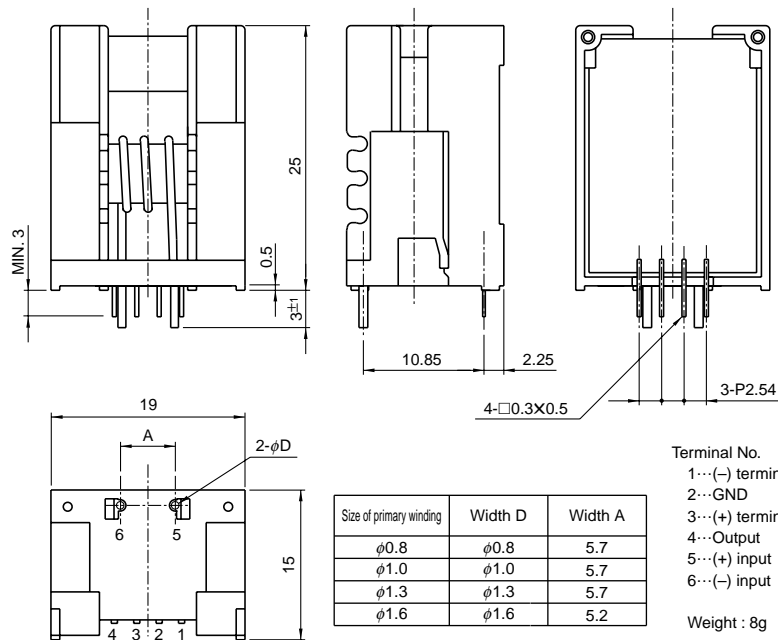
- Well isolated for European Standards
- Rated current5A~50A
- Superior noise-resistance

Applications

Inverters, servo drivers, power supply equipment, uninterruptible power systems (UPS)

Dimensions

(mm)



Specification

Ta=25°C

Type	HC-PSE05V4B15	HC-PSE10V4B15	HC-PSE20V4B15	HC-PSE30V4B15	HC-PSE50V4B15
Rated current [If]	±5A	±10A	±20A	±30A	±50A
Saturation current [Is]	±15A	±30A	±45A	±90A	±90A
Linearity limits	0~±12.5A	0~±25A	0~±37.5A	0~±75A	0~±75A
Size of primary winding	φ0.8	φ1	φ1.3	φ1.3	φ1.6
Rated output [Vh]	±4V±2% (RL=10kΩ)				
Residual output [Vo]	Within ±100mV				
Output linearity	Within ±1%				
Response time	Within 10μs (at di/dt=If/μs)				
Output Temp. Coef.	Within ±0.1%/°C				
Residual output Temp. Coef.	Within ±6mV/°C				
Control power supply	Within ±15V±5%				
Operating Temp.	-10°C~+75°C				
Storage Temp.	-15°C~+85°C				
Dielectric withstand voltage	2500V AC 50/60Hz 1minute				
Insulation resistance	Not less than 500MΩ 500V DC				

Note1) The indicated residual voltage is the one after the core hysteresis is removed.

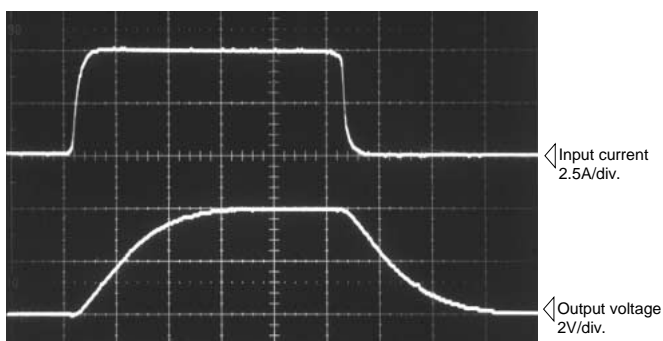
Note2) For continuously flowing DC currents, see the principal characteristics marked by an asterisk (*) on page 1-5.

Characteristics chart

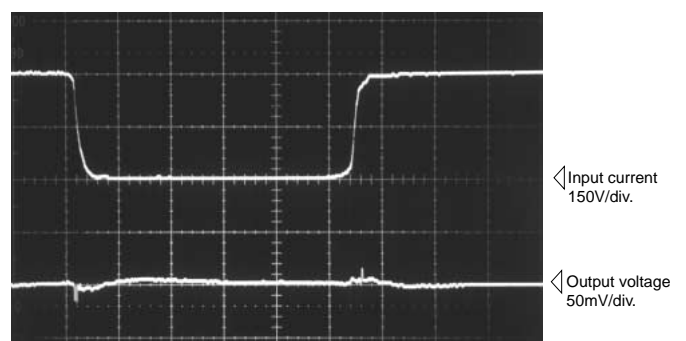
HC-PSE05V4B15

Time base : 5μs/div.

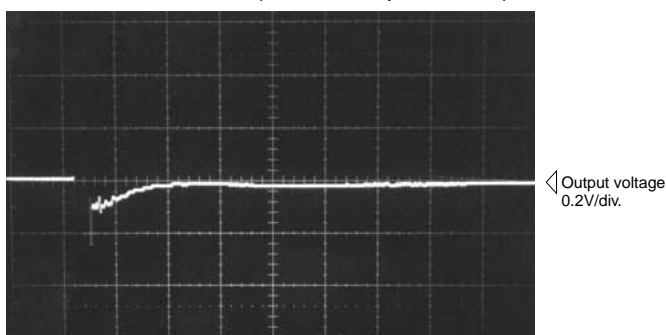
Pulse current response characteristic



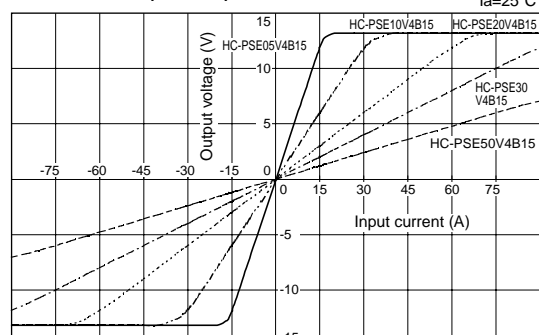
Noise characteristics (Effects of dv/dt)



Noise characteristics (Effects of impulse noise)



Input/output characteristics



Note : The mark "◁" means 0V or 0A.