

HS-K



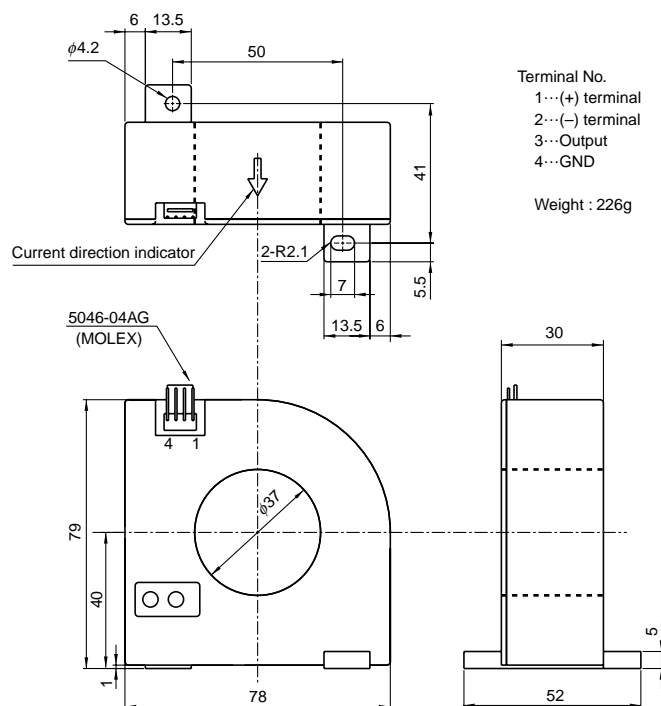
- Rated current300A~500A
- Superior in response, linearity and temperature characteristics
- Both the voltage output and the current output were prepared

Applications

Inverters, power supply equipment

Dimensions

(mm)



Specification

Ta=25°C

Type	Voltage output type			Current output type		
	HS-K300V4B15	HS-K400V4B15	HS-K500V4B15	HS-K300A0075B15	HS-K400A010B15	HS-K500A010B15
Rated current [If]	±300A	±400A	±500A	±300A	±400A	±500A
Saturation current [Is]	±600A	±800A	±1000A	±600A	±800A	±1000A
Linearity limits	0~±600A	0~±800A	0~±1000A	0~±600A (RL=30Ω)	0~±800A (RL=10Ω)	0~±1000A (RL=10Ω)
Rated output	±4V±1% (RL=10kΩ)			±75mA±1%	±100mA±1%	±100mA±1%
Residual output	Within ±20mV			Within ±0.2mA		
Output linearity	Within ±0.5%			Within ±0.5%		
Response time	Within 1μs (at di/dt=100A/μs)			Within 1μs (at di/dt=100A/μs)		
Output Temp. Coef.	Within ±0.02%/°C			Within ±0.02%/°C		
Residual output Temp. Coef.	Within ±1mV/°C			Within ±0.003mA/°C		
Control power supply	±15V±5%					
Consumption current	20mA+ (Input current/4000)	20mA+ (Input current/5000)	20mA+ (Input current/4000)	20mA+ (Input current/5000)	20mA+ (Input current/4000)	20mA+ (Input current/5000)
Operating Temp.	-10°C~+75°C					
Storage Temp.	-15°C~+85°C					
Dielectric withstand voltage	2500V AC 50/60Hz 1minute					
Insulation resistance	Not less than 500MΩ 500V DC					

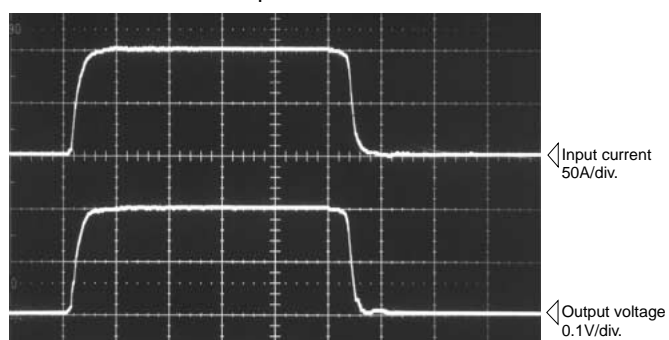
Note1) The indicated residual voltage is the one after the core hysteresis is removed.

Characteristics chart

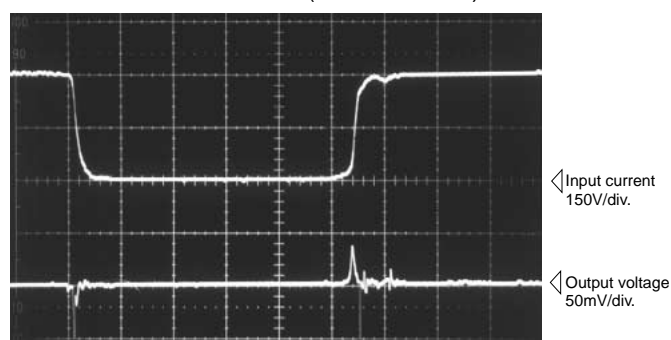
HS-K500A010B15 (RL=10Ω)

Time base : 5μs/div.

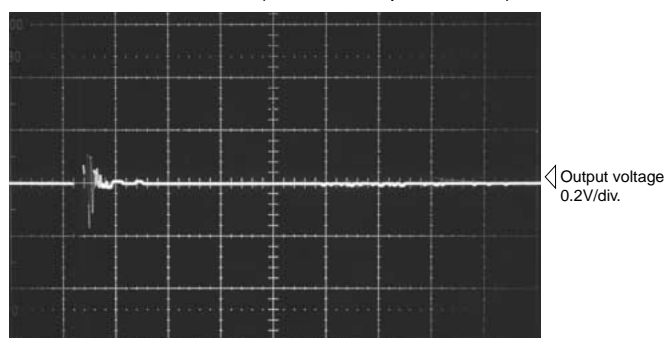
Pulse current response characteristic



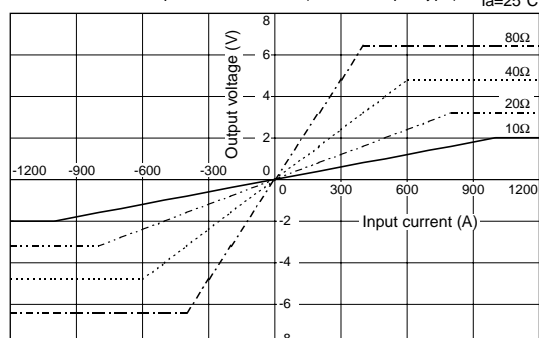
Noise characteristics (Effects of dv/dt)



Noise characteristics (Effects of impulse noise)



Load resistance-output characteristics (Current output type)



Note : The mark "◁" means 0V or 0A.