

HS-PHB



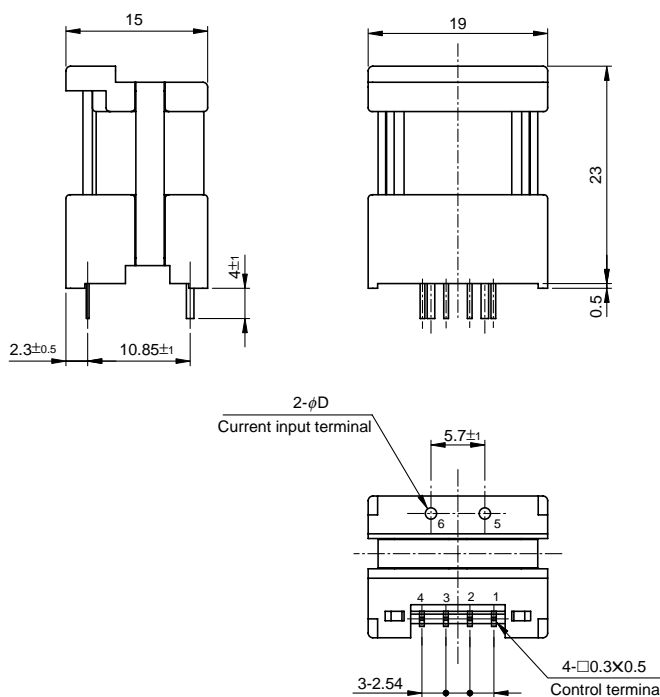
- Rated current 35A ~ 50A
- Realized high precision and compact size
- Superior in response, linearity and temperature characteristics

Applications

Inverters, servo drivers, power supply equipment, NC machine tools

Dimensions

(mm)



Dimensions of Current Input Terminals

Size of primary winding	Width D
φ0.8	
φ1.0	
φ1.3	
□1.2X2	

- Terminal No.
- 1...(-) terminal
 - 2...GND
 - 3...(+ terminal
 - 4...Output
 - 5...(+ input
 - 6...(-) input

Specification

Ta=25°C

Type	Voltage output type		
	HS-PHB35V4B15	HS-PHB40V4B15	HS-PHB50V4B15
Rated current [If]	±35A	±40A	±50A
Continuously flowing DC current	±25.2A	±28.8A	±36A
Saturation current [Is]	±87.5A	±100A	±125A
Linearity limits	0~±70A	0~±80A	0~±100A
Size of primary winding	φ1.3	□1.2X2	□1.2X2
Turns	1	1	1
Rated output	±4V±1.5% (RL=10kΩ)		
Residual output	Within ±30mV		
Output linearity	Within ±0.5%		
Response time	Within 3μs (at di/dt=If/μs)		
Response performance	Within 10%		
Hysteresis voltage range	Within 50mV		
Output Temp. Coef.	Within ±0.04%/°C		
Residual output Temp. Coef.	Within ±1mV/°C		
Control power supply	±15V±5%		
Consumption current	20mA+(Input current × N)/1270		
Operating Temp.	-10°C~+80°C		
Storage Temp.	-15°C~+85°C		
Dielectric withstand voltage	2500V AC 50/60Hz 1minute		
Insulation resistance	Not less than 500MΩ 500V DC		

Note1) The indicated residual voltage is the one after the core hysteresis is removed.

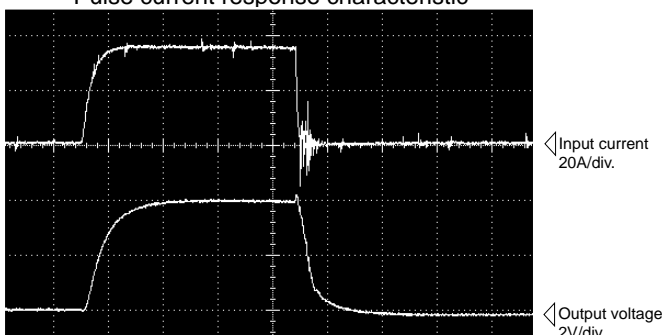
Note2) For continuously flowing DC currents, see the principal characteristics marked by an asterisk (※) on page 1-5.

Characteristics chart

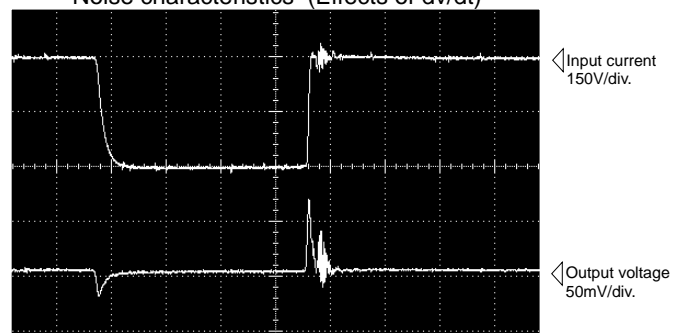
HS-PHB35V4B15 (RL=10KΩ)

Time base : 5μs/div.

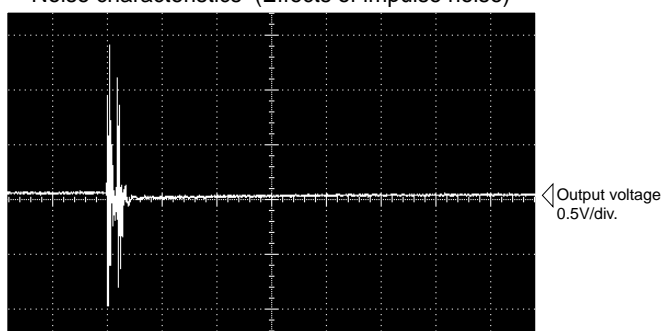
Pulse current response characteristic



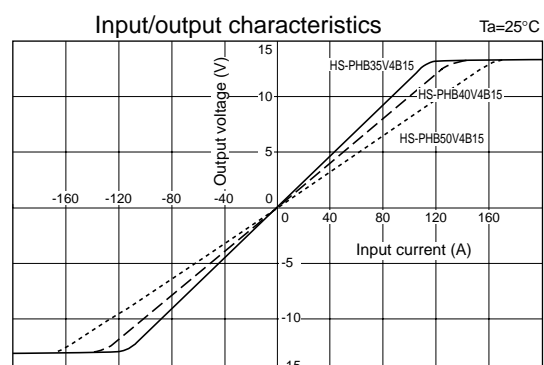
Noise characteristics (Effects of dv/dt)



Noise characteristics (Effects of impulse noise)



Input/output characteristics



Note : The mark "◁" means 0V or 0A.